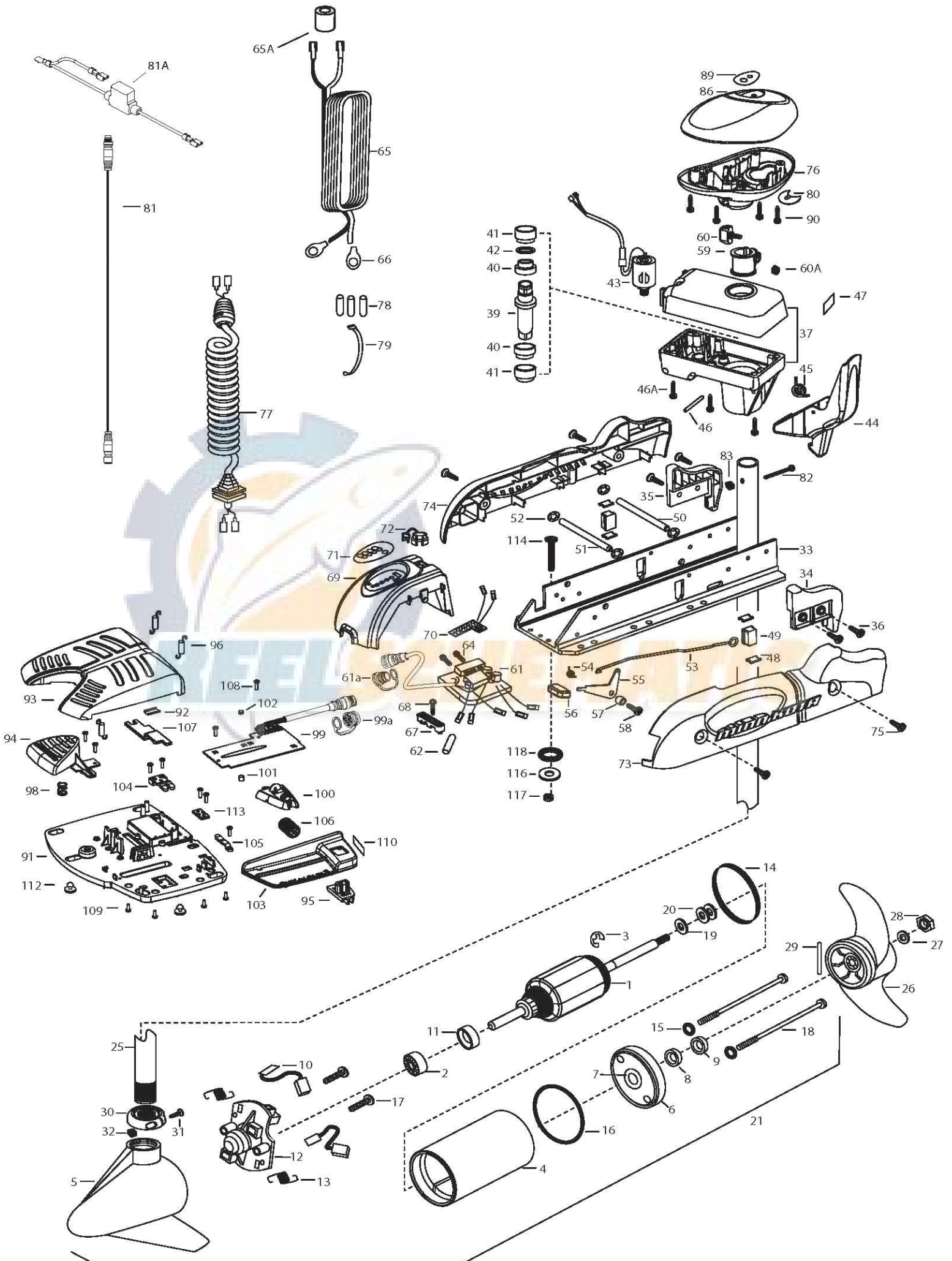


55PD
55 LBS THRUST
12 VOLT 50 AMPS
54" OR 48" SHAFT

for use with "0" serial numbers
2-year warranty



| | | | | | | | | |
|-----|-----------|---|-----|---------|----------------------------------|------|---------|----------------------------------|
| 1 | 2-100-121 | ARMATURE ASSEMBLY 12V VARS TXT | *40 | 2307304 | BUSHING- INNER [2.EA] | 78 | 2065400 | WIRE INSULATOR-LGE 1-3/4 [3.EA] |
| 2 | 140-010 | BALL BEARING | *41 | 2307305 | BUSHING- OUTER [2.EA] | 79 | 2256300 | TIE WRAP-5" BLACK |
| 3 | 788-015 | RETAINING RING | *42 | 2304603 | O-RING | 80 | 2224702 | INSERT- PLUG |
| 4 | 2-200-101 | HOUSING ASSEMBLY CENTER 3.62 TXT | 43 | 2307050 | MOTOR- DRIVE HOUSING HIGH SPD | | 2224700 | INSERT- PLUG US2 |
| 5 | 421-065 | HOUSING -BRUSH END 3.62 TXT | 44 | 2307201 | LATCH HANDLE PD/AP | 81 | 2211415 | EXTENSION CABLE US2 |
| | 9421-167 | HOUSING -BRUSH END 3.62 US2 48" | 45 | 2302750 | SPRING- LATCH TORSION PD/AP | 81A | 2218200 | FUSE HOLDER, US2 MOTORS ONLY |
| | 9421-168 | HOUSING -BRUSH END 3.62 US2 54" | 46 | 2302627 | PIN- ROLL ZINC | 82 | 2033400 | SCREW-10-24 X 1-3/4 PPH Z/P |
| 6 | 2-400-101 | PLAIN END HOUSING ASSEMBLY 3.625 | 46A | 2303407 | SCREW - DRIVE HOUSING [6 EA] | 83 | 2013110 | NUT-HEX 10-24 ZCP |
| 7 | 144-049 | BEARING - FLANGE (SERVICE ONLY) | 47 | 2305564 | DECAL-STOW/DEPLOY | 86 | 2300237 | CONTROL BOX COVER- POWERDRIVE |
| 8 | 880-003 | SEAL | 48 | 2305110 | PAD-PIVOT SUPT [4.EA] | 89 | 2315682 | DECAL- COVER 55PD |
| 9 | 880-006 | SEAL WITH SHIELD | 49 | 2305103 | PIVOT PAD- NEW MTR'L [2.EA] | | 2315687 | DECAL - COVER 55 PD / US |
| 10 | 188-036 | BRUSH ASSEMBLY [2.EA] | 50 | 2300500 | PIN-LATCH | 90 | 2012100 | SCREW-8-18 X 5/8 THD CUT [4.EA] |
| 11 | 725-050 | BRUSH RETENTION- PAPER TUBE | 51 | 2300510 | PIN-PIVOT | ■ | 2994725 | FOOT PEDAL ASSEMBLY |
| 12 | 738-036 | BRUSH PLATE W/HOLDER | 52 | 2013100 | NUT-SPEED [4.EA] | 91 | 2304505 | FOOT PEDAL BASE |
| 13 | 975-040 | SPRING - TORSION [2.EA] | 53 | 2303612 | ROD-RELEASE RT/AP S | 92 | 2308501 | WEAR PLATE FOOT PDL |
| 14 | 337-036 | GASKET | 54 | 2322700 | SPRING-RELEASE LEVER | 93 | 2300255 | FOOT PEDAL, CORDED UPPER |
| 15 | 701-008 | O-RING, THRU-BOLT [2.EA] | 55 | 2303710 | LEVER-RELEASE | 94 | 2303723 | BUTTON, MOMENTARY |
| 16 | 701-081 | O-RING | 56 | 2300101 | RELEASE-KNOB | 95 | 2303722 | BUTTON, MOM/CON |
| 17 | 830-007 | SCREW-8-32 [2.EA] | 57 | 2301700 | SPACER-RELEASE LEVER | 96 | 2302730 | SPRING-LONG-UPPER PEDAL [3.EA] |
| 18 | 830-042 | THRU-BOLT 10-32X8.83 [2.EA] | 58 | 2303430 | SCREW-1/4-20 X 5/8 | 98 | 2302732 | SPRING-LOWER PEDAL |
| 19 | 990-067 | WASHER- STEEL THRUST | 59 | 2031522 | COLLAR- DRIVE (W/INSERT) | 99 | 2304052 | CONTROL BOARD ASSEMBLY-FT PDL |
| 20 | 990-070 | WASHER - NYLATRON [2.EA] | 60 | 2011365 | SCREW-COLLAR/NEW KNOB | 99A | 2320207 | DUST CAP |
| 21 | 2097074 | MOTOR ASSEMBLY 12V 3.62 54" | 60A | 2323104 | NUT | 100 | 2308620 | SLIDER, SPEED |
| | 2107098 | MOTOR ASSEMBLY US2 12V 3.62 VARS 54" | 61 | 2304064 | CONTROL BOARD ASSEMBLY- 12V | 101 | 2308409 | MAGNET, 1/4 X 1/4 |
| 25 | 2032076 | TUBE-CARBON COMPOSITE 54" | 61A | 2320208 | DUST PLUG | 102 | 2778408 | MAGNET, 1/4 X 1/8 |
| | 2032075 | TUBE-CARBON COMPOSITE 48" | 62 | 2355410 | SHRINK TUBE-3/8 ODX2 | 103 | 2300252 | COVER, SPEED SELECTOR |
| ■ | 1378131 | PROPELLER KIT | 64 | 2303434 | SCREW-8-32 X 5/8 [3.EA] | 104 | 2308606 | SWITCH, DOUBLE FINGER |
| 26 | 2091160 | PROPELLER W/WEDGE 2 | 65 | 2090651 | LEADWIRE IOGA 44" | 105 | 2308608 | SWITCH, SINGLE FINGER |
| 27 | 2151726 | WASHER-5/16 SS | 65A | 2307310 | BEAD - FERRITE (CE MODELS ONLY) | 106 | 2307900 | WHEEL, SPEED |
| 28 | 2053101 | NUT-PROP NYLOC | 66 | 2020700 | TERMINAL RING [2.EA] | 107 | 2308625 | SLIDER, STEERING |
| 29 | 2092600 | PIN-DRIVE | 67 | 2321310 | STRAIN RELIEF- BRACKET PD/AP | 108 | 2302100 | SCREW-6-20 X 1/2 [9.EA] |
| 30 | 2301545 | COLLAR- LATCH PD/AP | 68 | 2323405 | SCREW-1/4-20 X 5/8 | 109 | 2372103 | SCREW-6.20 X 3/8 [4.EA] |
| 31 | 2303434 | SCREW- 8-32X5/8 MACH PHCR | 69 | 2306555 | HOUSING- CENTER PD/AP | 110 | 2316600 | DECAL, ON/OFF SWITCH |
| 32 | 2303112 | NUT 8-32 NYLOC SS | 70 | 2074070 | BATTERY GAUGE - 12 VOLT | 112 | 2994859 | BAG ASSEMBLY- 5 RUBBER BUMPERS |
| 33 | 2301936 | EXTRUSION- BASE MACHINED | 71 | 2316605 | DECAL, BATTERY GAUGE | 113 | 2302907 | STRN RLF PD FP |
| 34 | 2303932 | MOTOR REST- RIGHT 3-5/8 | 72 | 2302935 | STRAIN RELIEF-DR. HOUSING | ■ | 2994864 | BAG ASSEMBLY- (BOLT,NUT,WASHERS) |
| 35 | 2303937 | MOTOR REST- LEFT 3-5/8 | 73 | 2303960 | SIDEPLATE (RIGHT)PD MK | *114 | 2263462 | BOLT-MOUNTING-1/4X2 W/STG [6.EA] |
| 36 | 2303430 | SCREW 1/4-20X5/8 SELF TAP [4.EA] | 74 | 2303965 | SIDEPLATE(LEFT)PD MK | *116 | 2261713 | WASHER-1/4 [6.EA] |
| 37 | 2771826 | DRIVE HOUSING / LATCH HANDLE ASSY | 75 | 2303430 | SCREW-1/4-20 X 5/8- [4.EA] | *117 | 2263103 | NUT NYLOK 1/4-20 MTG [6.EA] |
| ■ | 2882011 | BUSHING/ OUTSHAFT KIT (INCLUDES 39-42) | 76 | 2302515 | CONTROL BOX PD/AP | *118 | 2301720 | WASHER-MOUNTING RUBBER [6.EA] |
| | | | 77 | 2991283 | COIL CORD WSTRAIN RELIEF 48, 54" | ■ | 2888460 | SEAL & ORING KIT |
| *39 | 2302010 | DRIVE HOUSING OUTPUT SHAFT | | | | | | |

* This item is part of an assembly. This item cannot be sold separately due to machining and /or assembly that is required.

P/N 2314948

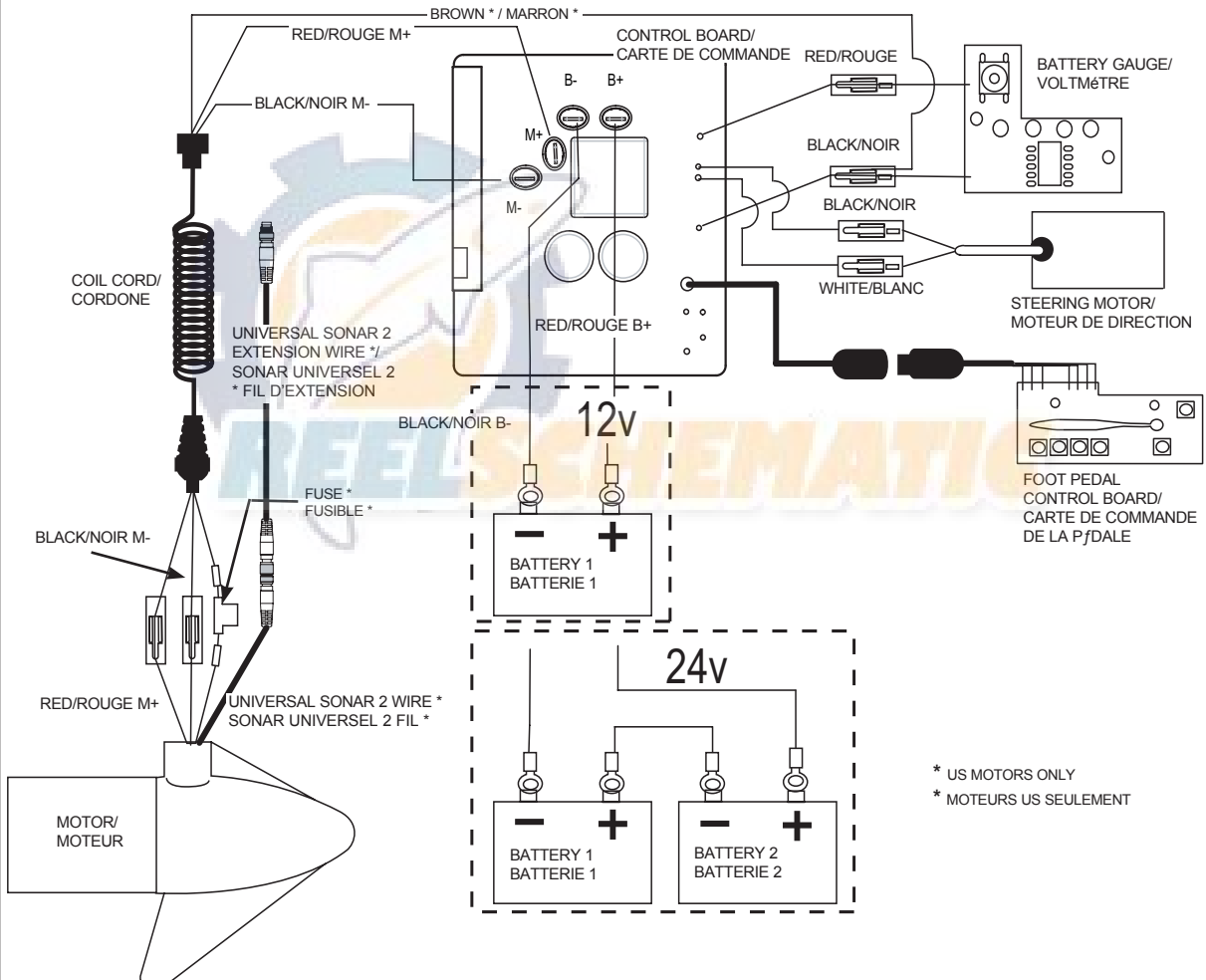
REV. Y ECN 34960

9/13

12-24 VOLT MODELS

THIS IS A UNIVERSAL MULTI-VOLTAGE DIAGRAM. DOUBLE CHECK YOUR MOTORS VOLTAGE FOR PROPER CONNECTIONS

55 PowerDrive is 12-volt only!



* US MOTORS ONLY

* MOTEURS US SEULEMENT